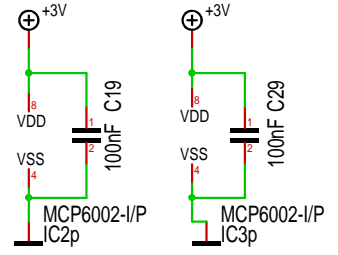
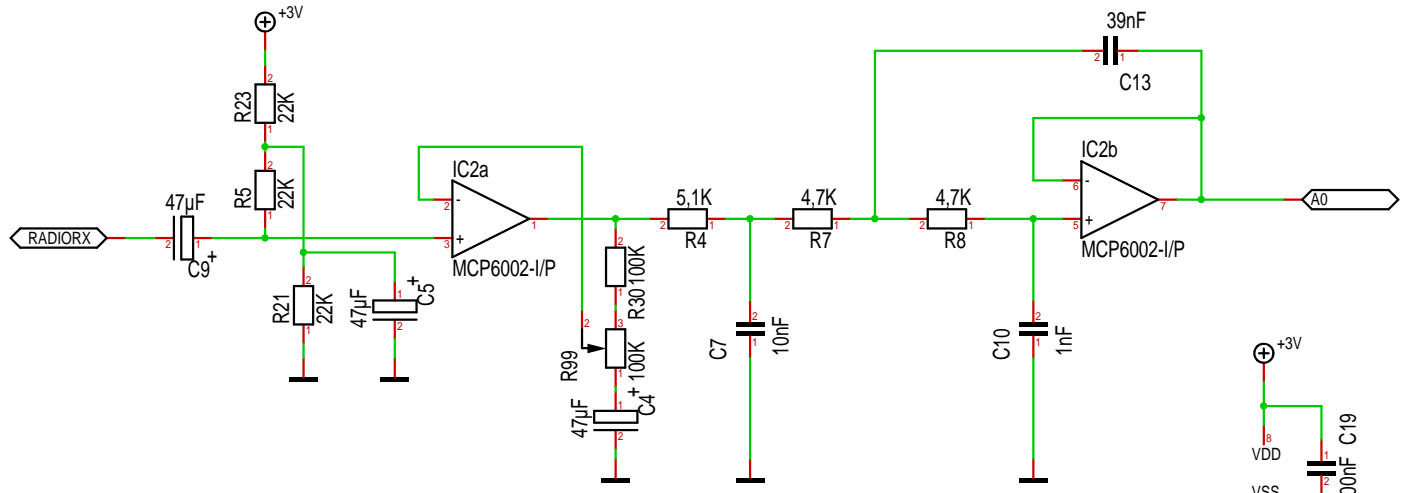
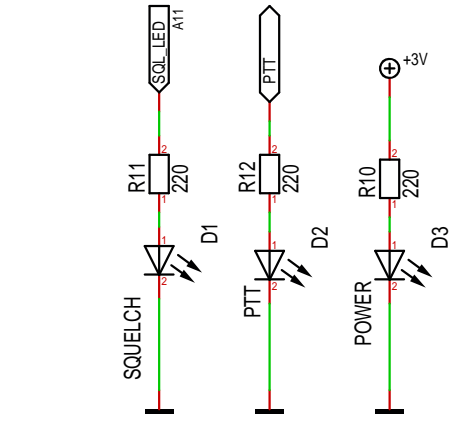
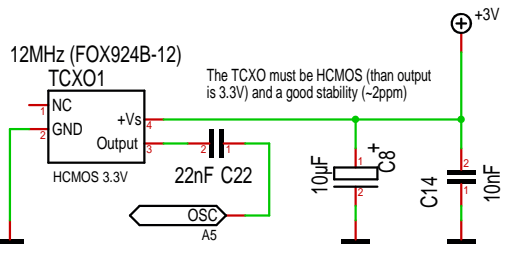
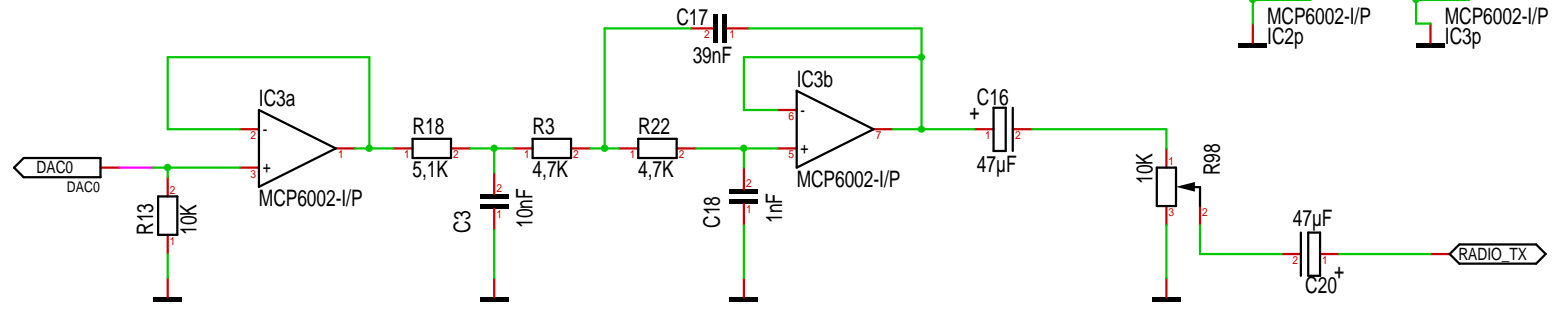
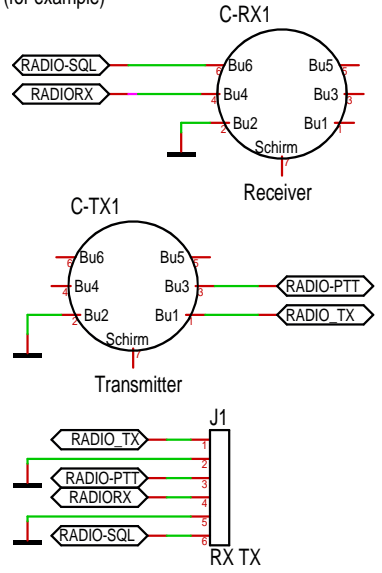


**ATTENTION:**  
Only one Q (Q2 or Q3) have to be installed!



Same connectors as DVRPTR v1 or Kenwood TM451 Transceivers (for example)



Échelle	100,00%		Author	F5UII	Sheet	A4 1/1
Modification	Licence terms		Title	MMDVM with HCMOS TCXO inspired by K16ZUM, EB4FBZ, SP6NTH v6 Under licence CC by-nc-sa		
Édition	15-10-16	18:59	Fichier	MMDVM F5UII v1 licence CC by-nc-sa project 001 MMDVM for Arduino Due		