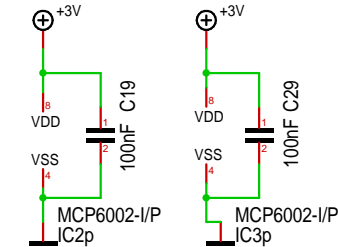
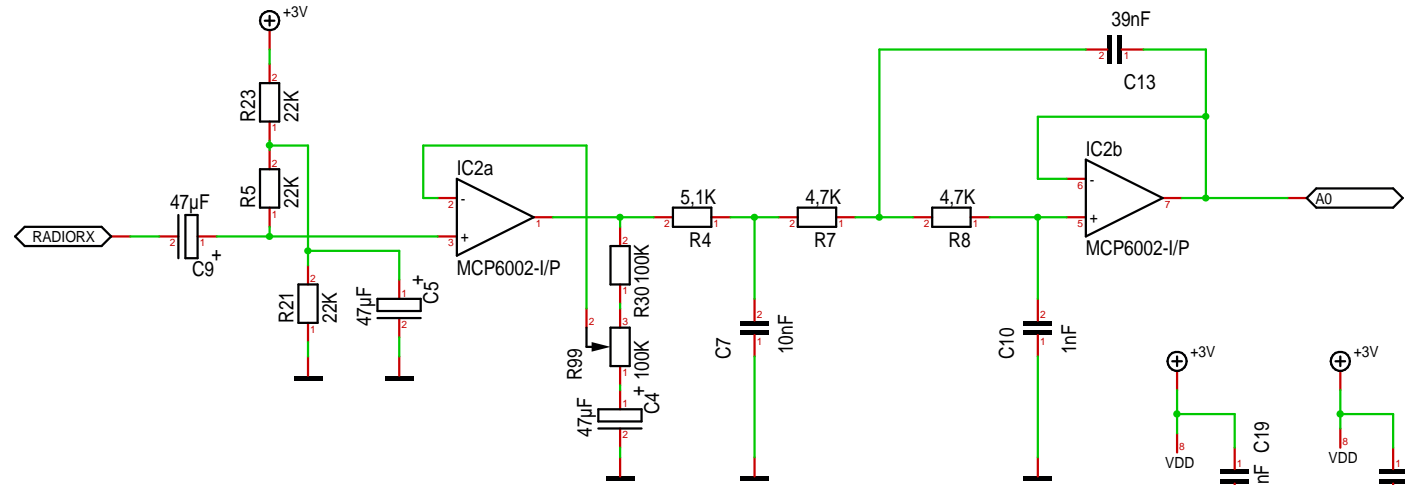
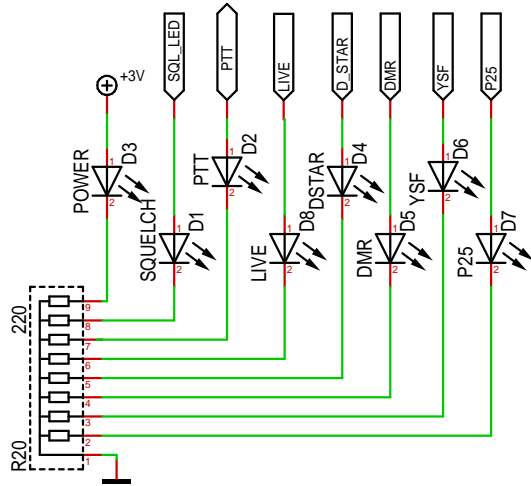
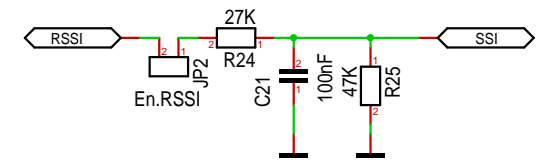
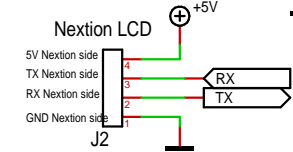
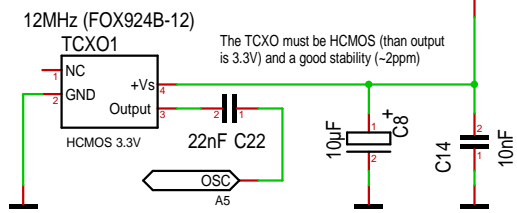
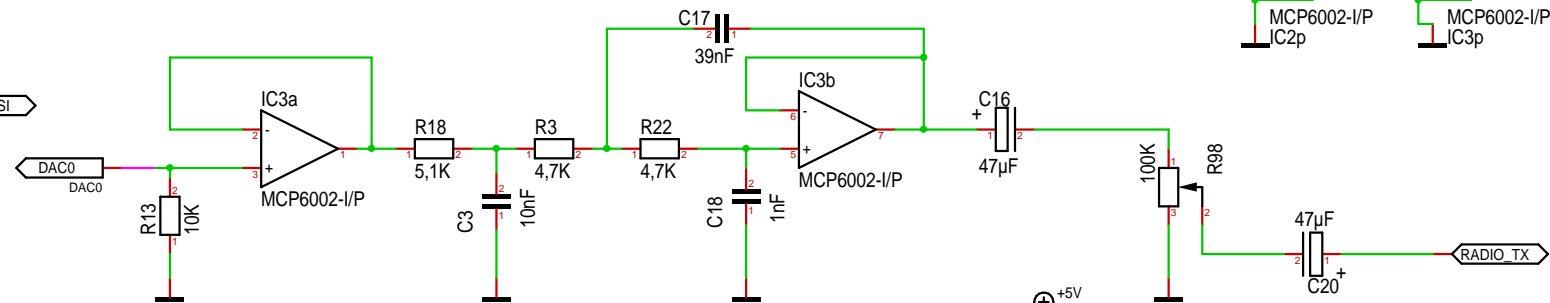
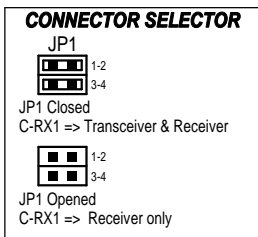
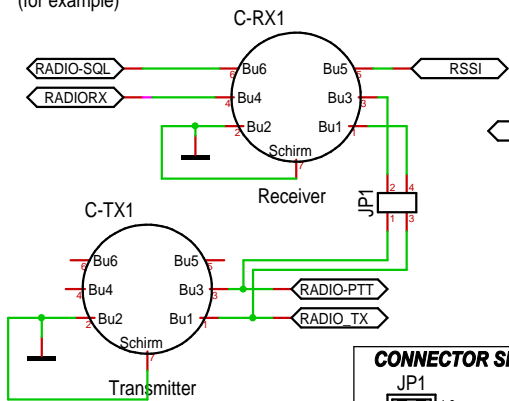


ATTENTION :
 SSI level must not be over 3.3 V
 Determine the voltage divider and R24, R25 values
 according the maximum level of RSSI (Here max 5V)



Same connectors as DVRPTR v1 or
 Kenwood TM451 Transceivers
 (for example)



Échelle	100,00%		Author	F5UII	Sheet	A4 1/1
Modification	Initial version		Title MMDVM for STM32F4 with HCMOS TCXO inspired by K16ZUM, EB4FBZ, SP8NTH v6.2 Under licence CC by-nc-sa			
Édition	02-01-17	20:19				
Fichier	MMDVM STM32 F5UII v1.T3001			Project MMDVM for STM32 Nucleo		