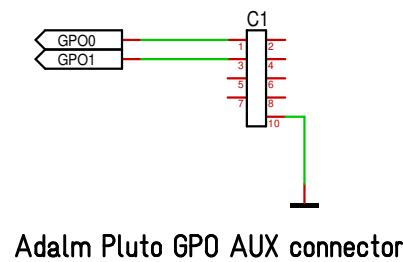
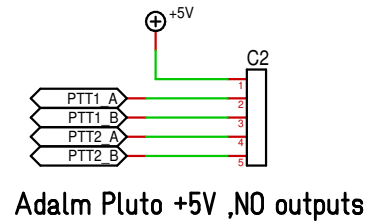
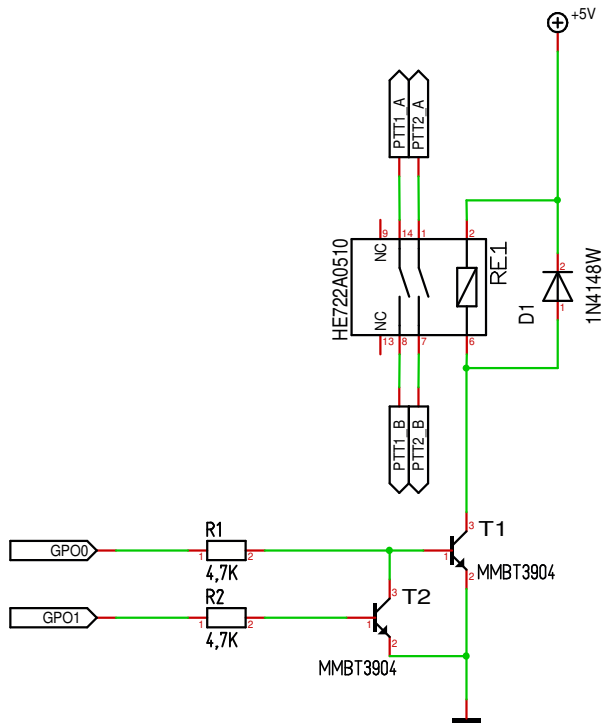


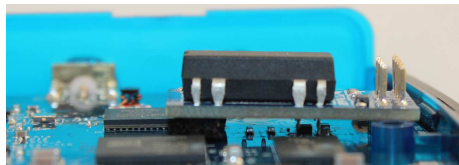
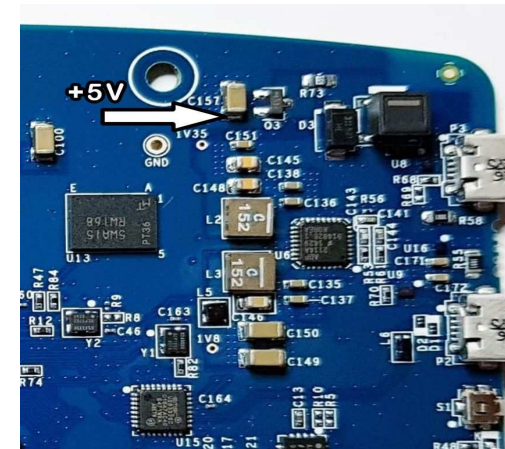
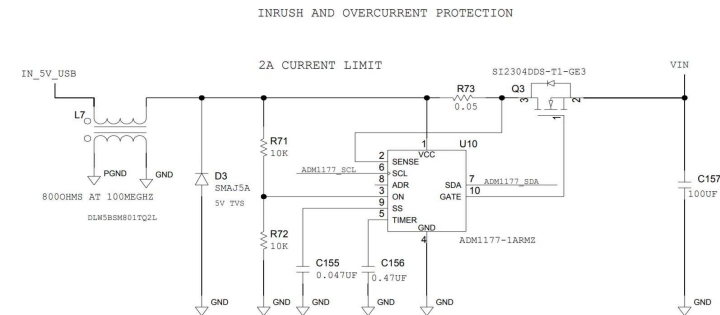
Duo PTT PlutoSDR

2x NO contacts, 0.5A switching

To be installed in the housing on the GPO-AUX connector



+5V : To be connected to VIN



The board fits easily into the original case of the Adalm Pluto. Mount the 9-pin connector, leaving the longer pin on top. You do not need to shorten them. You may use these pins for other future use. If you wish, you can place a small foam support under the PCB opposite to the connector.

Échelle	100,00%	Sh-pChp	F5UII	1/1
Modification	12.07.20	23:50	Titre Duo PTT switcher for Adalm Pluto	
Édition	12-07-20	23:50		
Fichier	PlutoSDR PlutoDVB 2PTT 100x100	1300pt	shop.f5uii.net	