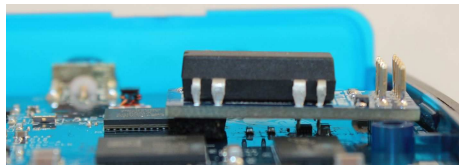
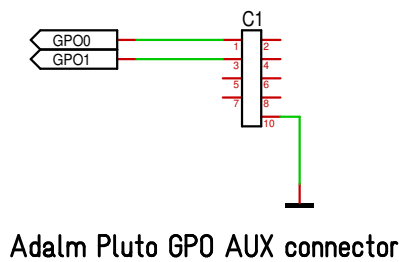
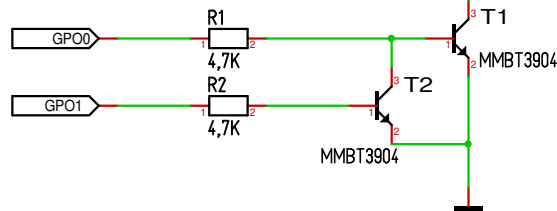
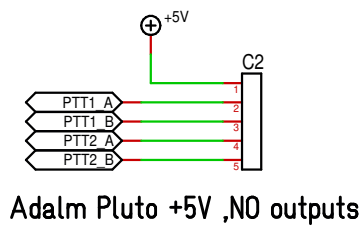
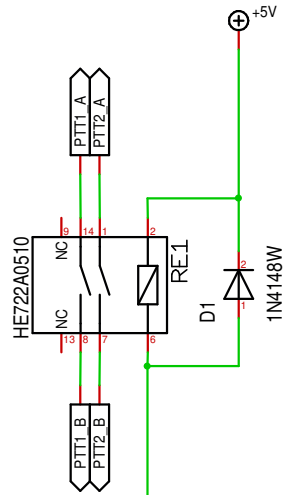


Duo PTT PlutoSDR

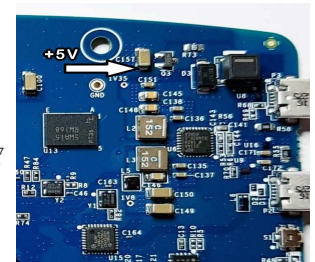
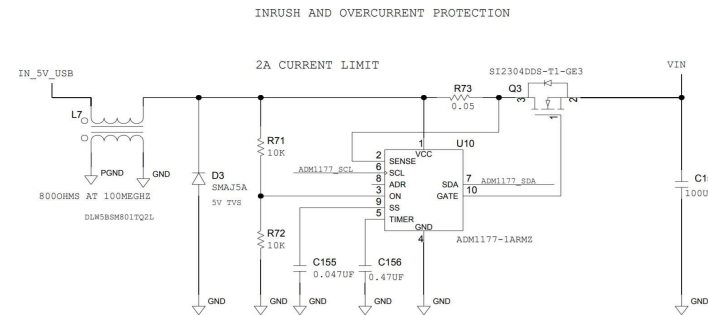
2x NO contacts, 0.5A switching

To be installed in the housing on the GPO-AUX connector

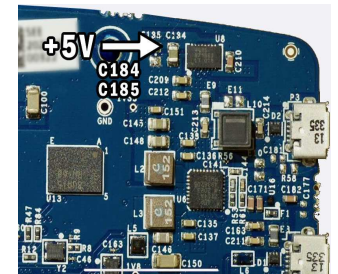
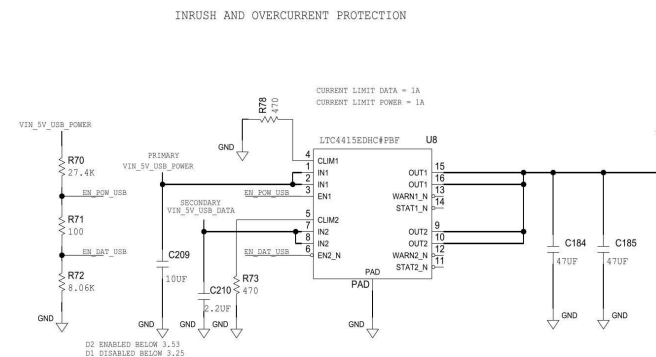


The board fits easily into the original case of the Adalm Pluto. Mount the 9-pin connector, leaving the longer pin on top. You do not need to shorten them. You may use these pins for other future use. If you wish, you can place a small foam support under the PCB opposite to the connector.

+5V : To be connected to VIN // Adalm Pluto Hardw Rev B



+5V : To be connected to VIN // Adalm Pluto Hardw Rev D



Échelle	100,00%	Sh-pChp	F5UII	1/1
Modification	03.07.21	22:53	Titre	
Édition	03-07-21	22:53	Duo PTT switcher for Adalm Pluto	
Fichier	PlutoSDR PlutoDVB 2PTT 100x100	1300pt	shop.f5uii.net	